

OEM SERIES OZONE GENERATORS

Features

- Air-Cooled Ceramic and Titanium Reactor Cell
- Over-Temperature Protection
- Stainless Steel Construction
- Stainless Steel Ozone Fittings

Controls

- Variable Output Control
- Reactor Pressure Gauge
- Feed Gas Flow Control
- LED Visual Ozone Indicator

Reliable and Flexible

The OEM Series ozone generators are built on the strong foundation of Pacific Ozone's air-cooled ceramic and titanium reactor with patented Floating Plate Technology™.

The rugged and reliable industrial ozone generators are packaged in versatile 19-inch rack mountable stainless steel chasses. The format of the OEM Series allows extensive freedom and flexibility



Model: OEM 24

in designing complex ozone solutions for demanding applications. The OEM Series cooling system is front-facing which simplifies integration into virtually all OEM rack systems.

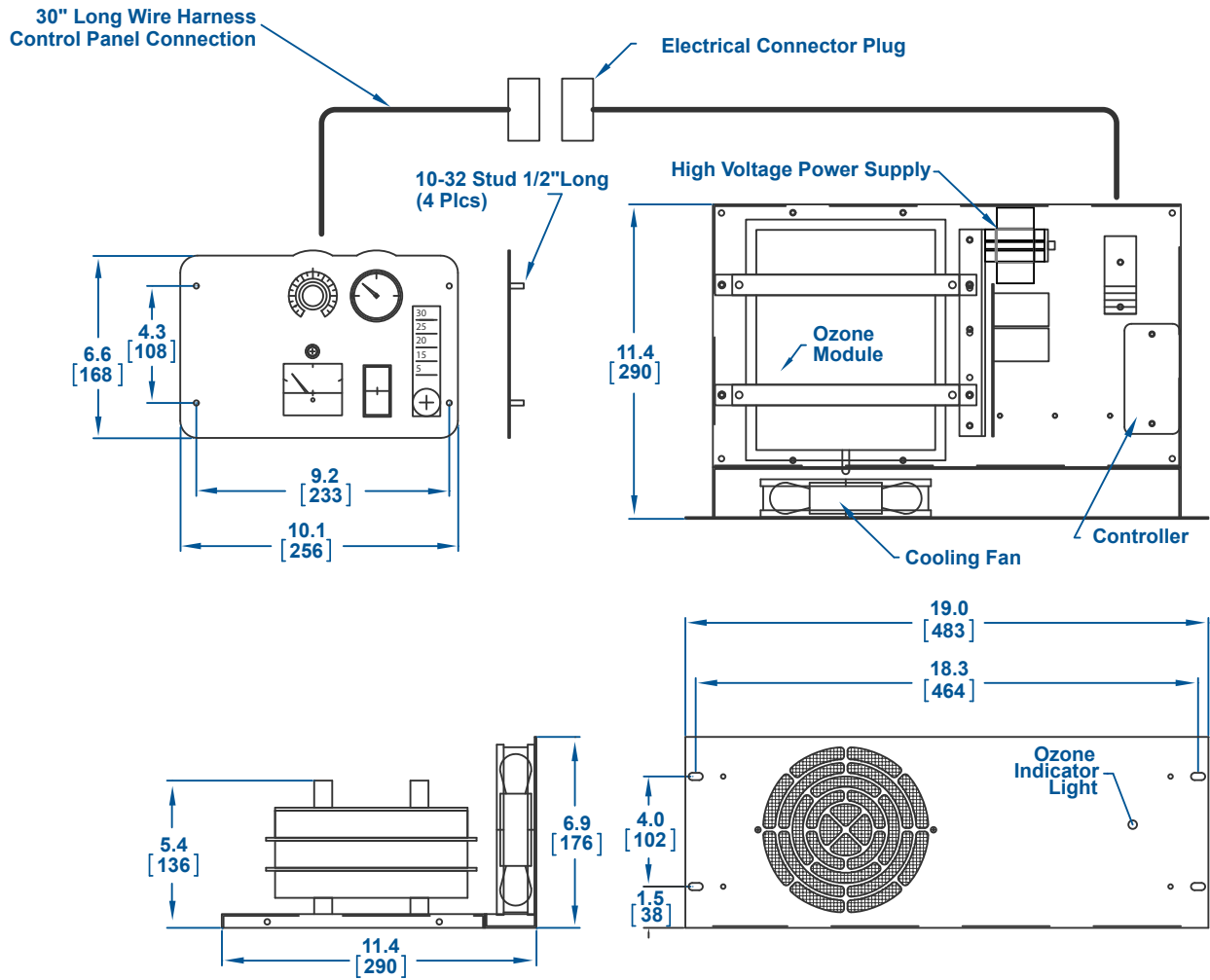
Pacific Ozone has nearly two decades of experience in creating innovative OEM solutions. Put this experience to work for you solving your ozone application challenges.



Model: OEM Series Control Panel

OEM SERIES OZONE GENERATORS

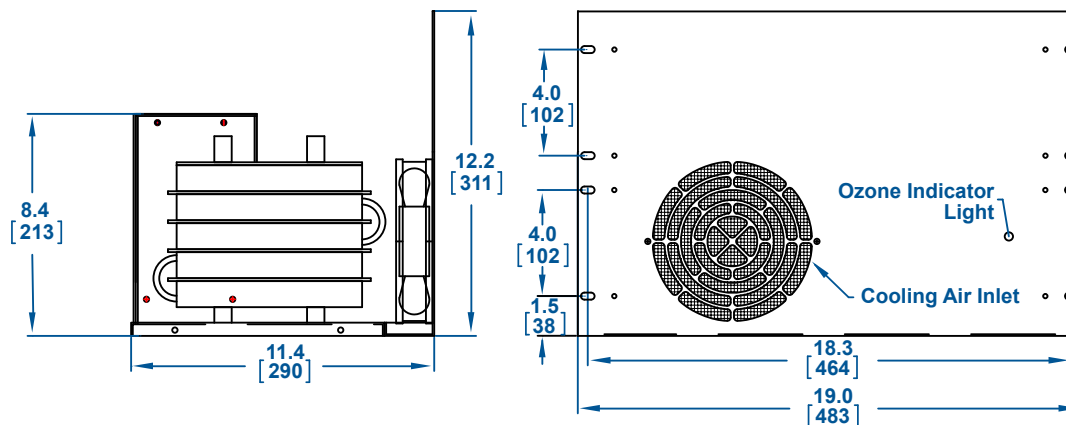
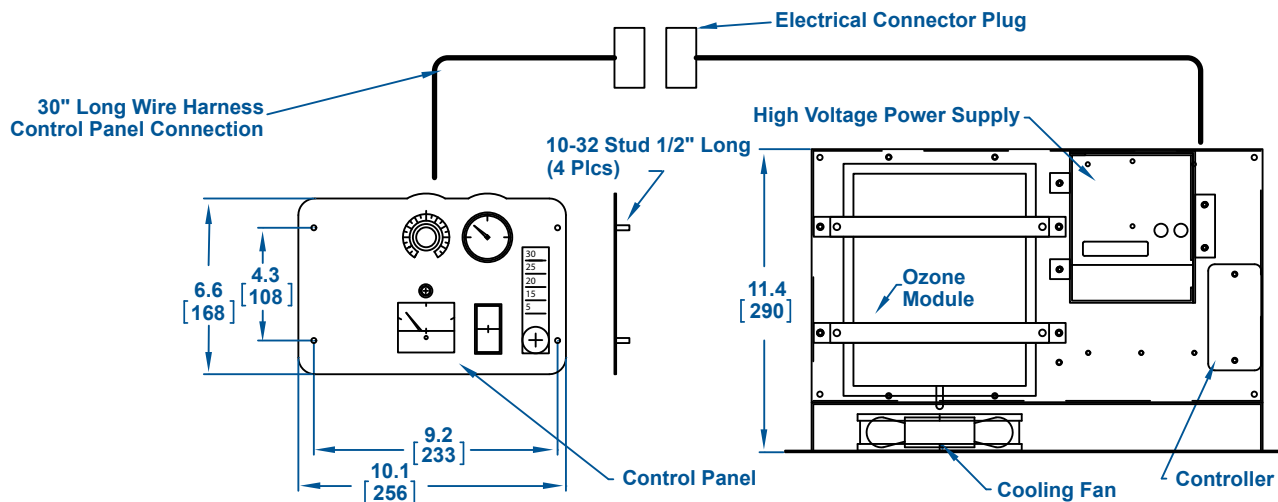
Model: OEM 11/21/22



Dimensions: inches [mm]

OEM SERIES OZONE GENERATORS

Model: OEM 23/24



Dimensions: inches [mm]

OEM SERIES OZONE GENERATORS

Technical Specifications

Model/ Part Number	Max. Ozone Production	Max. Ozone Concentration	Max. Reactor Pressure	Feed Gas Flow Range	Power Consumption	Air Cooling	Feed Gas Inlet Fitting*	Ozone Outlet Fitting*	Dimensions (HxWxD)	Weight
	lbs./day (grams/hour)	% weight	psig (bar)	scfh (lpm)	watts	scfm (lpm)	inches (mm)	inches (mm)	inches (mm)	lbs (kg)
OEM11/ R-OEM111 (115V) R-OEM112 (230V)	0.6 (12)	8%	12 (0.8)	7-10 (3.3-4.7)	230	240 (6796)	1/4" (6.35 mm)	1/4" (6.35 mm)	6.9x19.0x11.4 (176x483x290)	42 (19)
OEM21/ R-OEM211 (115V) R-OEM212 (230V)	1.0 (18)	10%	12 (0.8)	7-10 (3.3-4.7)	350	240 (6796)	1/4" (6.35 mm)	1/4" (6.35 mm)	6.9x19.0x11.4 (176x483x290)	46 (21)
OEM22/ R-OEM221 (115V) R-OEM222 (230V)	1.6 (30)	8%	12 (0.8)	7-20 (3.3-9.4)	430	240 (6796)	1/4" (6.35 mm)	1/4" (6.35 mm)	6.9x19.0x11.4 (176x483x290)	50 (23)
OEM23/ R-OEM231 (115V) R-OEM232 (230V)	2.4 (45)	8%	12 (0.8)	10-30 (4.7-14)	500	240 (6796)	1/4" (6.35 mm)	1/4" (6.35 mm)	12.2x19.0x11.4 (311x483x290)	55 (25)
OEM24/ R-OEM242 (230V)	3.2 (60)	8%	12 (0.827)	10-40 (4.7-19)	600	240 (6796)	1/4" (6.35 mm)	1/4" (6.35 mm)	12.2x19.0x11.4 (311x483x290)	60 (27)

* Compression fitting.

Operational Requirements

All OEM Series Models have the following operational requirements:

- Electrical Requirement: Model OEM11/21/22/23, 115V, 60Hz or 230V 50/60Hz, 1 phase 15 A Circuit; Model OEM24, 230V 50/60Hz, 1 phase 15 A Circuit.
- Feed Gas Air Flow: Model OEM11/21, 10 scfh (4.7 lpm); Model OEM22, 20 scfh (9.7 lpm); Model OEM23, 30 scfh (14 lpm); Model OEM24, 40 scfh (19 lpm).



EQUIPOS ESPECIALIZADOS DEL ATLANTICO SA de CV

PASEO LOMAS DE ROSALES #307 COL. LOMAS DE ROSALES C.P. 89100 TAMPICO, TAM. MÉXICO

TEL.- (833) 116-54-10

www.eatlantico.com

e-mail: marte.alvarez@atlantico.com