

SGC21 OZONE / OXYGEN SYSTEM

Simple, one-button control makes the SGC Series Ozone/Oxygen System the easiest ozone production system to operate, and ideal for a variety of commercial and industrial applications. Producing an impressive 16g/hr ozone, the SGC21 is an air-cooled ozone generator combined with an onboard oxygen concentrator and compressor—all housed in an attractive, compact, wall-mountable stainless steel cabinet.

The SGC21 is easy to operate with a convenient, user-friendly control panel. To manage the ozone generating process it offers: 0-100% variable power control, feed gas control and reactor back-pressure gauges, power supply feed back reference meter and LED ozone production indicator. The control interface includes an optional 0-10VDC or 4-20mA input signal for 0-100% variable ozone concentration control.

The highly efficient, reliable ceramic/titanium reactor cell uses our exclusive Floating Plate Technology™ and is powered by an advanced, high-frequency pulse modulated variable control power supply. Responsive, accurate ozone output control is assured by instantaneous amplitude modulation and the proven stability of our Floating Plate Technology™ reactor cell design.

The SGC21 Ozone Generator is engineered to meet all of the ozone process requirements found in the most demanding applications; yet it is easy to install, simple to operate, and will provide years of trouble-free operation.



THE SGC21

FEATURES

- Stainless Steel Wall Mountable Enclosure
- Air-Cooled Ceramic and Titanium Reactor Cell
- Onboard Oxygen Concentrator
- Onboard Oil-less Air Compressor
- Over Temperature Control
- Feed Gas Flow Switch

CONTROLS

- Variable Output Control 0-100%
- Power Feed Back Reference Meter 0-5VDC
- Reactor Pressure Gauge 0-15 psi
- Feed Gas Flow Control 0-15 scfh
- LED Visual Ozone Indicator
- On/Off Lighted Circuit Breaker

SGC21 OZONE / OXYGEN SYSTEM

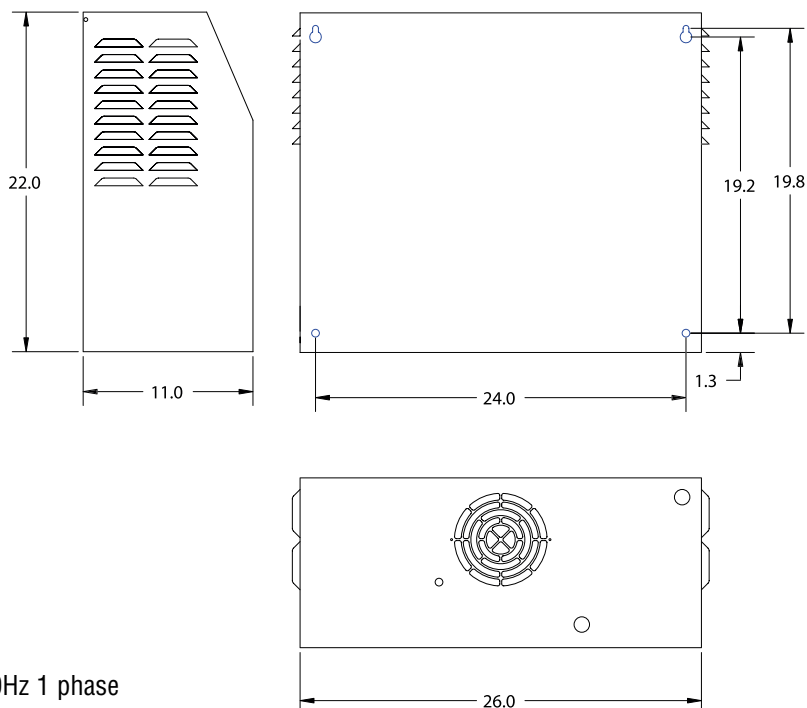
Product Description

Integrated Ozone/Oxygen Generation System

Part Number R-SGC211 115V model
R-SGC212 230V model

SPECIFICATIONS

Ozone Production	16 g/hr – 0.8 lbs./day
Oxygen Feed Gas Flow	10 scfh
Ozone Concentration	3% - 7% Max %/wt
Max Reactor Pressure	15 psi
Air Compressor	3 scfm @ 20 psi
Feed Gas Flow Range	0-15 scfh
Variable Control	0-100 %
Power Consumption	740 watts
Power Supply Fuse	8 ampere
On/Off Breaker	15 ampere
Air Cooling	240 scfm
Ozone Outlet Fitting	1/4" tube
Power Requirement	115v 60Hz or 230v 50/60Hz 1 phase
Height	22 inches
Width	26 inches
Depth	11 inches
Weight	100 lbs



THE SGC21

OPTIONS
Automatic Control Interface
0-10VDC or 4-20mA
Output Reference Signal
Replacement Filter Elements

The SGC Series Ozone/Oxygen System is a simple plug-and-play, high output, air-cooled ozone system ideal for commercial and industrial applications—housed in a sturdy stainless steel cabinet.



EQUIPOS ESPECIALIZADOS DEL ATLANTICO SA de CV

PASEO LOMAS DE ROSALES #307 COL. LOMAS DE ROSALES C.P. 89100 TAMPICO, TAM. MÉXICO

TEL. - (833) 116-54-10

www.eatlantico.com

e-mail: marte.alvarez@atlantico.com