

G21 OZONE GENERATOR

The reliable, versatile, and cost effective G Series Ozone Generators are built to interface with a wide range of industrial applications. The ultra compact, fiberglass reinforced cabinet makes the G Series right at home in demanding environments—aquaculture and agriculture installations, cooling tower and wastewater treatment skids, and other commercial and industrial ozone applications.

Incorporating Pacific Ozone's exclusive Floating Plate Technology™, an air-cooled titanium and ceramic reactor cell design with a high frequency variable controlled power supply, the G21 Ozone Generator performance is unsurpassed ranging from 13 g/hr (7.5%/wt) at 5 scfh oxygen to more than 20 g/hr at 15 scfh.

The energy efficient G Series' power consumption is among the lowest in the industry, yet their high-concentration ozone output allows greater flexibility of use with these features: variable control, feed gas control, reactor backpressure gauge, power supply feed back output and LED ozone output indicator. G Series ozone generators can be controlled manually or remotely using a 0-10VDC or 4-20mA signal from an ozone analyzer, ozone process controller, ORP controller or other control signal.

An integrated automatic cooling fan control keeps moisture out, even in cool or humid outdoor applications. It's modular design combines the power supply with a titanium and ceramic reactor cell for quick and easy service in the field, providing years of trouble-free operation.



THE G21 OZONE GENERATOR

FEATURES

- Reinforced Fiberglass Enclosure
- Stainless Steel Hardware
- Air-Cooled Ceramic and Titanium Reactor Cell
- Over Temperature Control
- Patented Floating Plate Technology™
- Feed Gas Flow Switch

CONTROLS

- Variable Output Control 0-100%
- Power Feed Back Reference Meter 0-15VDC
- Reactor Pressure Gauge 0-15 psi
- Feed Gas Flow Control 0-30scfh
- LED Visual Ozone Indicator
- On/Off Lighted Circuit Breaker

G21 OZONE GENERATOR

Product Description

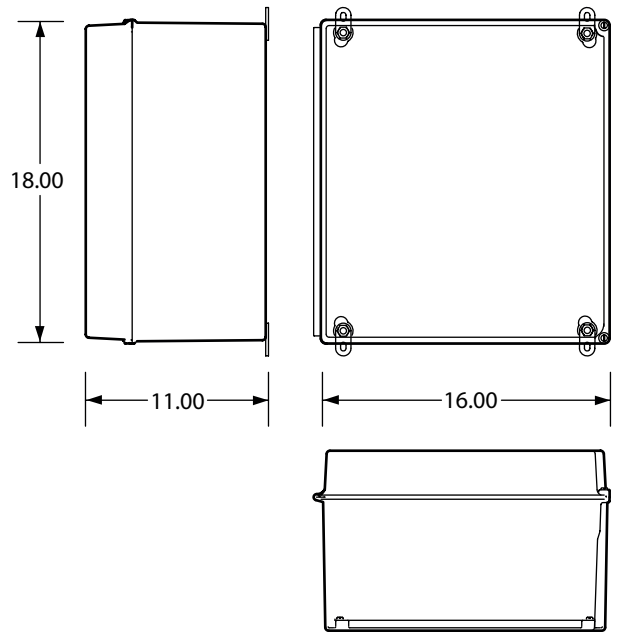
Ozone Generation

Part Number

R-G21001 115V model
R-G21002 230V model

SPECIFICATIONS

Ozone Production 10scfh Oxygen	19 g/hr - 1.0 lbs/day
Ozone Production 20scfh Oxygen	24 g/hr - 1.3 lbs/day
Ozone Production 10scfh Dry Air	4.3 g/hr - 0.2 lbs/day
Ozone Production 20scfh Dry Air	8.3 g/hr - 0.4 lbs/day
Ozone Concentration Oxygen	3% - 7% %/wt
Ozone Concentration Dry Air	1% - 2% %/wt
Maximum Reactor Pressure	15 psi
Feed Gas Flow Range	0-30 scfh
Variable Control	0-100%
Power Consumption	300 watts
Power Supply Fuse	8 ampere
On/Off Breaker	15 ampere
Air Cooling	240 scfm
Compressed Air Inlet Fitting	1/4" fnpt
Ozone Outlet Fitting	1/4" tube
Power Requirement	115V or 230V 50/60Hz 1 phase
Height	18 inches
Width	16 inches
Depth	11 inches
Weight	49 lbs.



THE G21 OZONE GENERATOR

OPTIONS
Oxygen Concentrator
Air Dryer
PID Controller
Dissolved Ozone Monitor
Ozone Gas Detector

Optional oxygen concentrator packages and air dryer systems are available to meet the feed gas requirements of the G Series Ozone Generators.

See important G Series dry air and oxygen quality requirements.



EQUIPOS ESPECIALIZADOS DEL ATLANTICO SA de CV

PASEO LOMAS DE ROSALES #307 COL. LOMAS DE ROSALES C.P. 89100 TAMPICO, TAM. MÉXICO

TEL. - (833) 116-54-10

www.eatlantico.com

e-mail: marte.alvarez@atlantico.com